

For reference only. See data sheet for the detailed specifications.

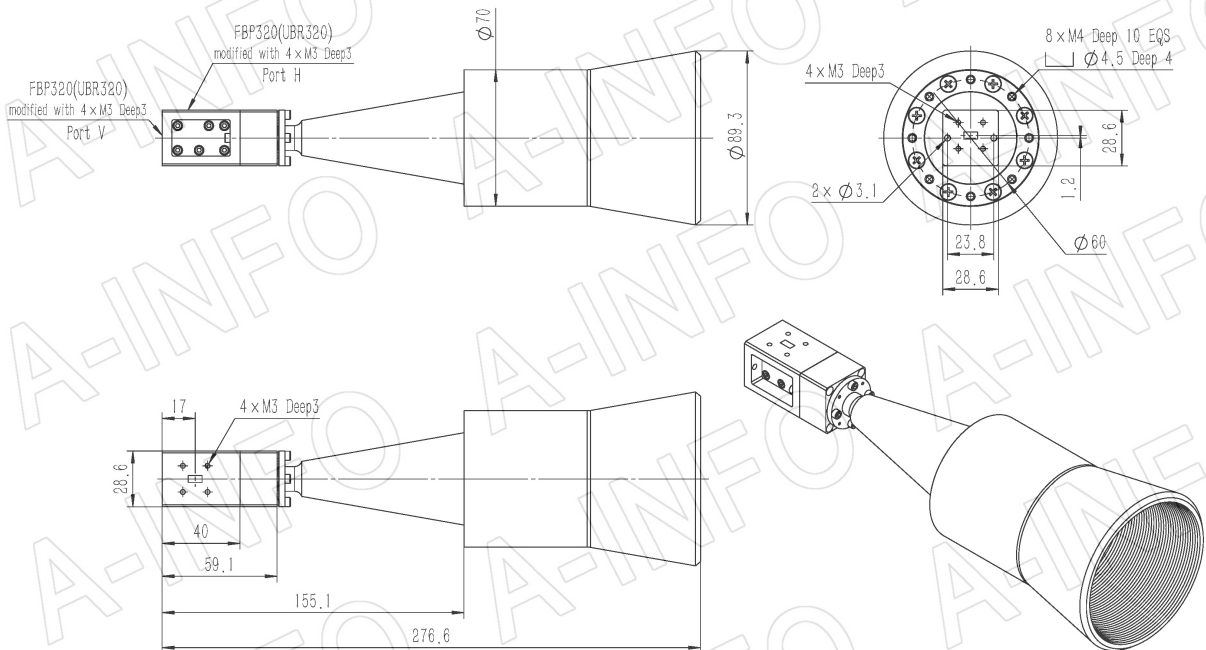
Technical Specification



Frequency Range(GHz)	26.0 - 35.0
Waveguide	WR28
Gain(dBi)	25 Typ.
Polarization	Dual Linear
3dB Beamwidth(deg)	E Plane: 9.5 Typ.
	H Plane: 9.5 Typ.
Cross Pol. Isolation(dB)	40 Typ. ; 30 Min.
Port to Port Isolation(dB)	40 Typ. ; 30 Min.
VSWR	A Type: 1.60:1 Typ.
	C Type: 1.60:1 Typ.
Output	A Type: FBP320(UBR320) (Modified with 4xM3 Deep3)
	C Type: 2.92mm-Female or 2.4mm-Female
Material	Al
Finish	Gold Plated and Sliver Plated, Gray Paint
Size(mm)	A Type: 89.3 x 89.3 x 276.6
	C Type: 89.3 x 89.3 x 300.6
Net Weight(Kg)	A Type: 0.83 Around
	C Type: 0.90 Around

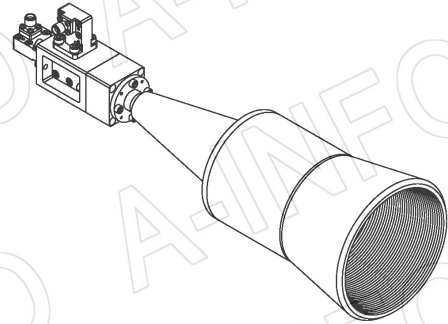
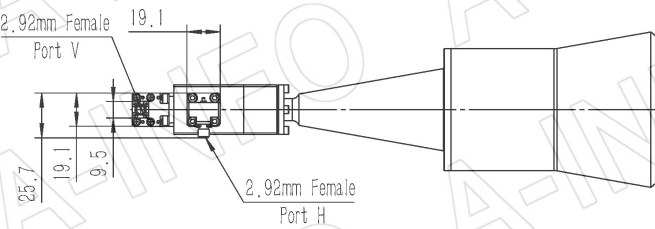
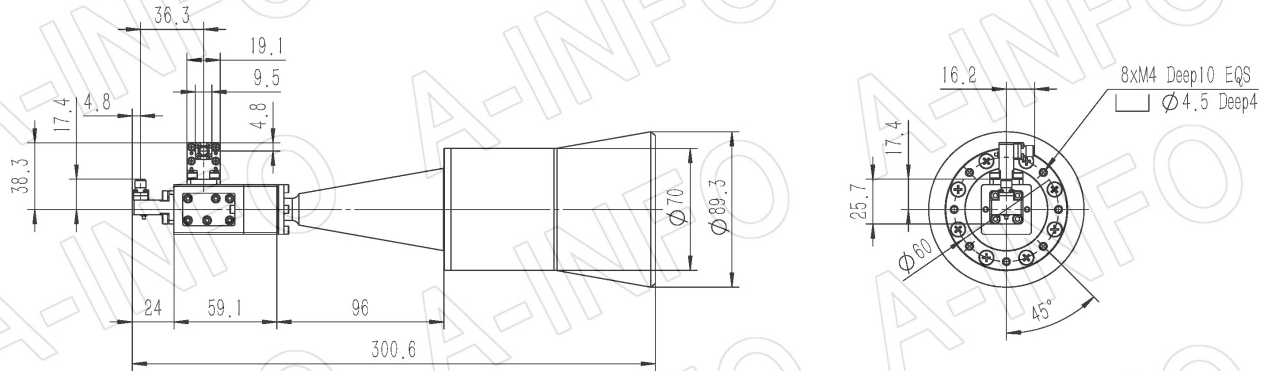
Outline Drawing (Size: mm)

FBP320 Output (P/N: LB-CH-28-25-T26-A)

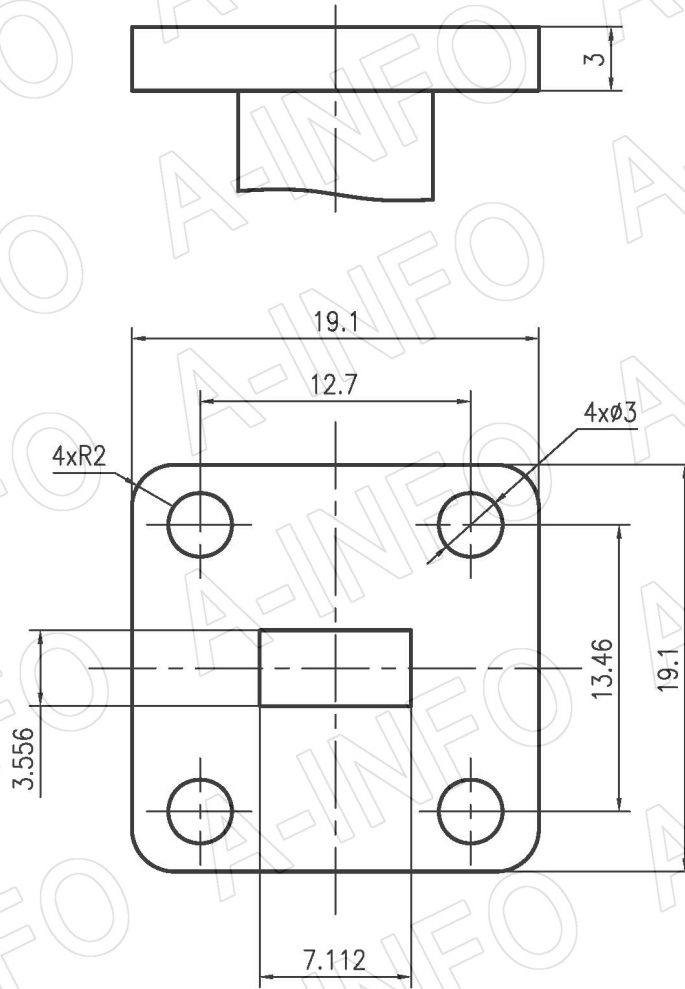


2.92mm-Female Output (P/N: LB-CH-28-25-T26-C-KF)

For 2.4mm-Female output outline drawing, please contact A-INFO.



Flange Drawing (Size: mm)



FBP320

AINFO Inc.

Page 3 of 9

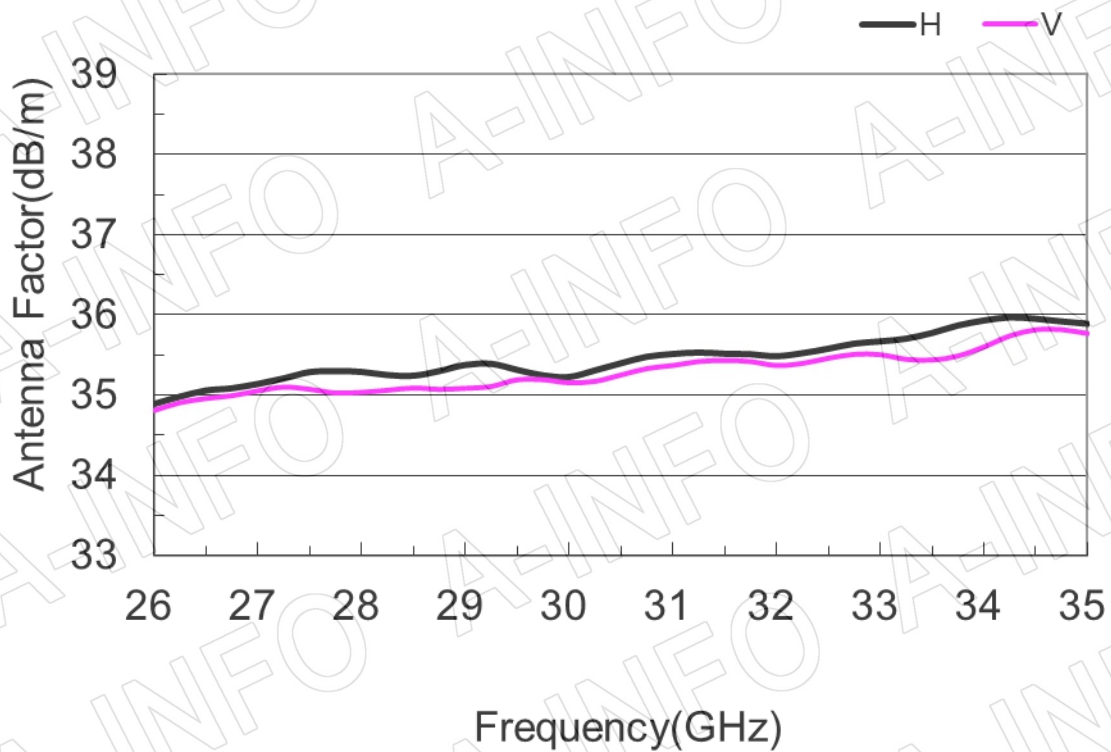
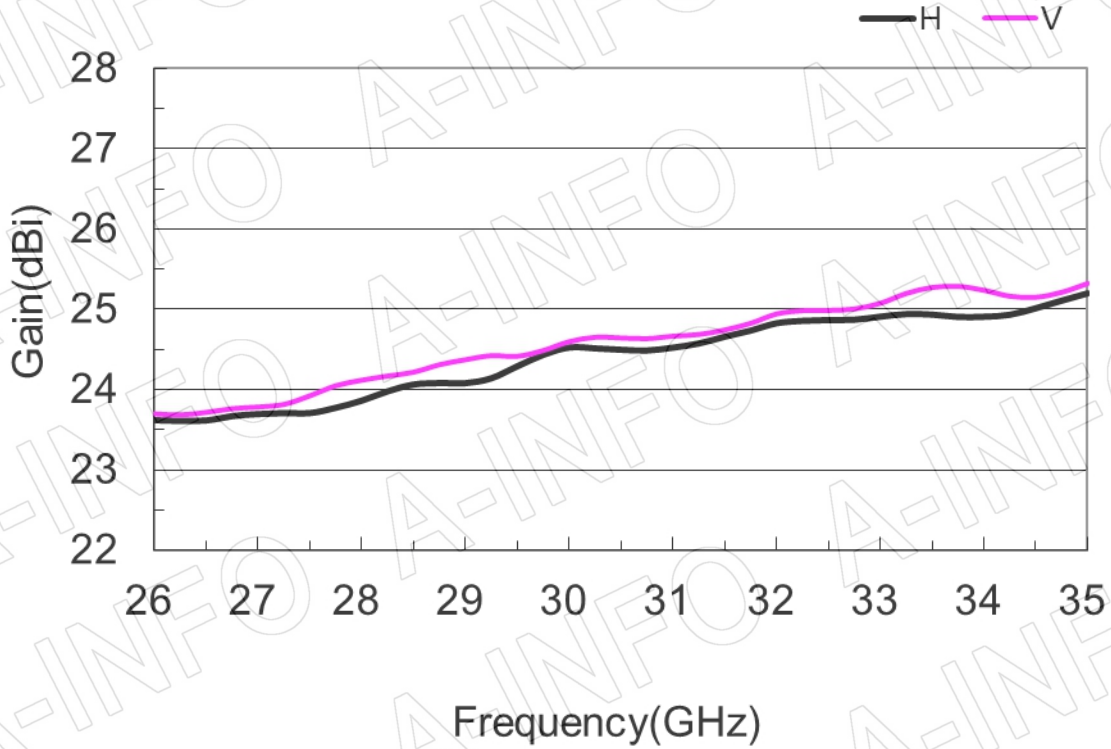
China(Beijing): Tel: (+86) 10-6266-7326,
China(Chengdu): Tel: (+86) 28-8519-2786,
USA: Tel: (+1) 949-639-9688,

(+86) 10-6266-7327 Fax: (+86) 10-6266-7379
(+86) 28-8519-3044 Fax: (+86) 28-8519-3068
(+1) 949-639-9608 Fax: (+1) 949-639-9670

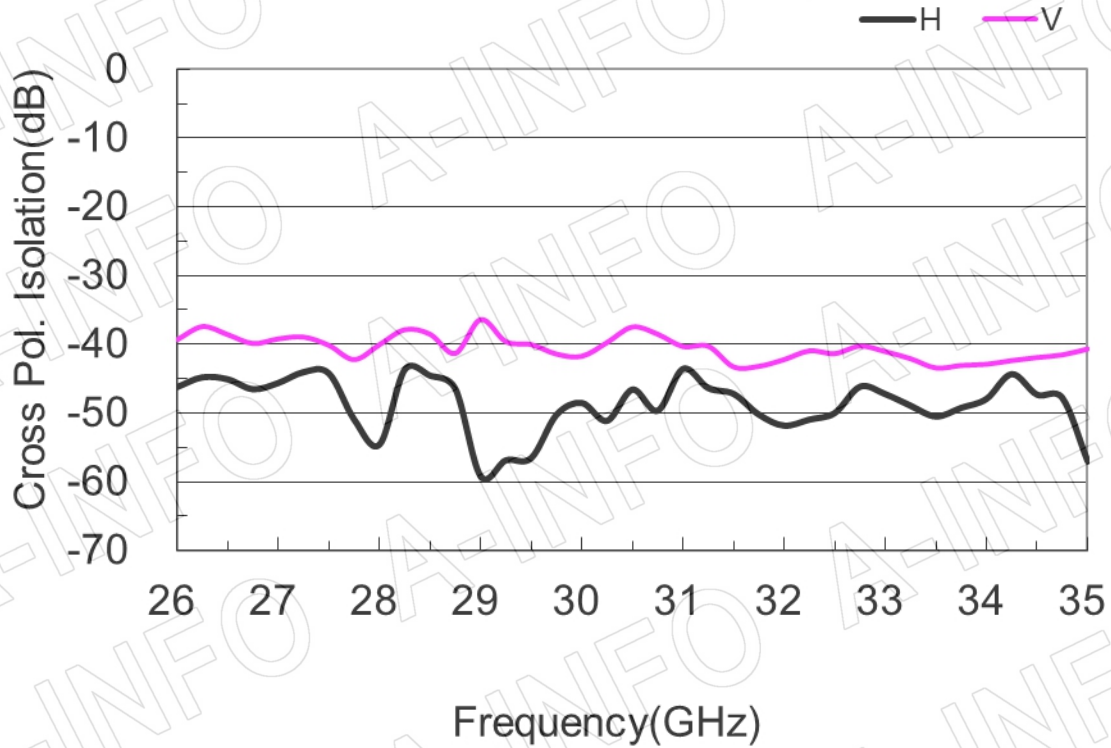
Website: www.ainfoinc.com
Email: sales@ainfoinc.com

Test Results

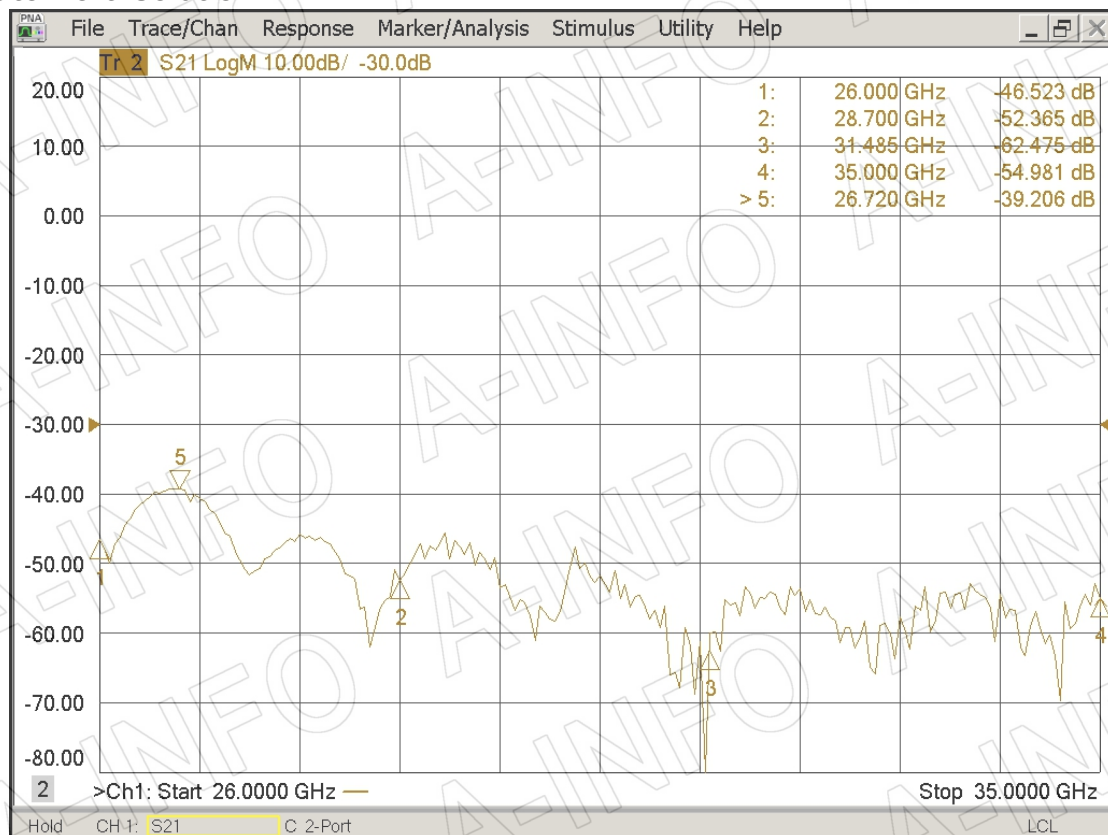
1. Gain & Antenna Factor



2. Cross Polarization Isolation

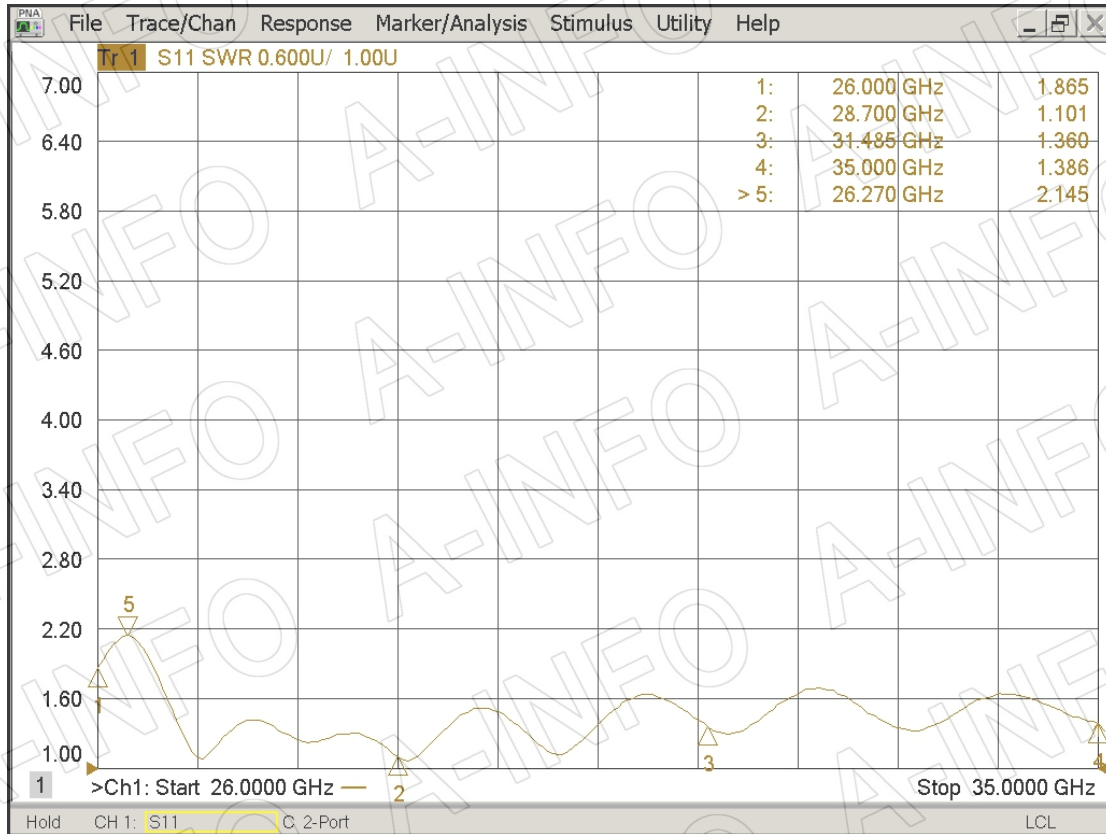


3. Port to Port Isolation

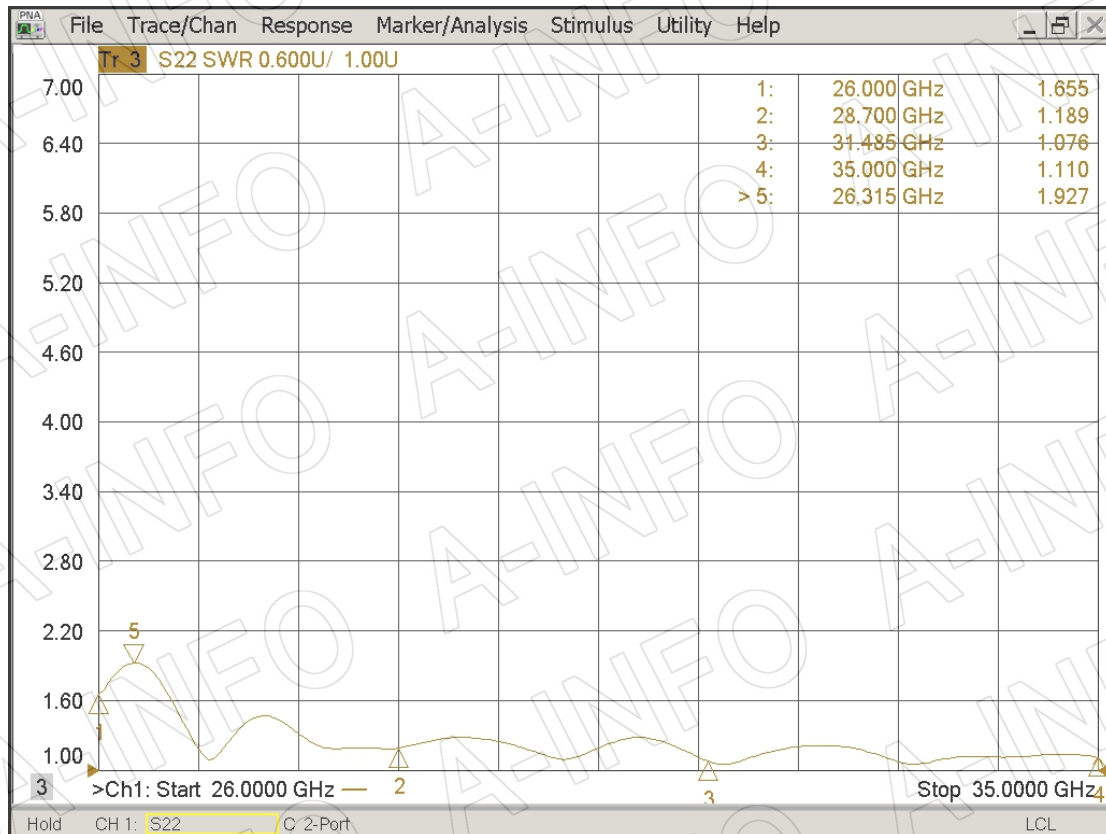


4. VSWR_A Type

Port-H

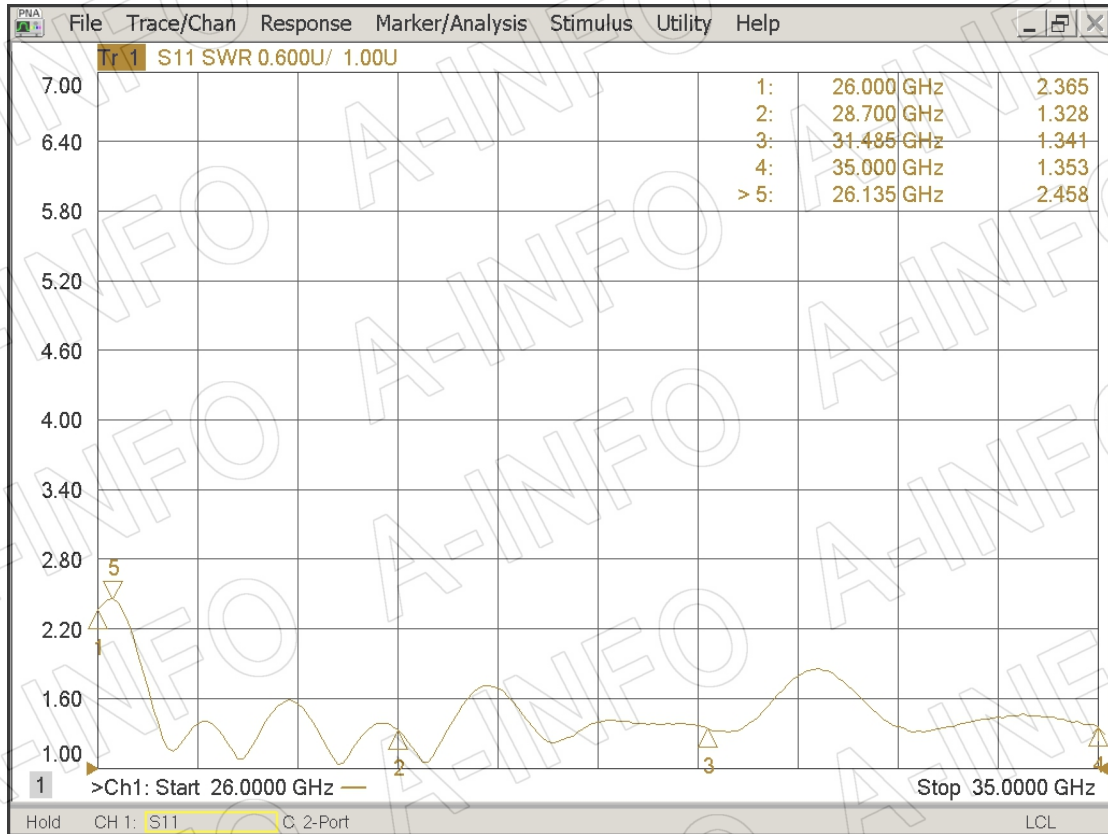


Port-V

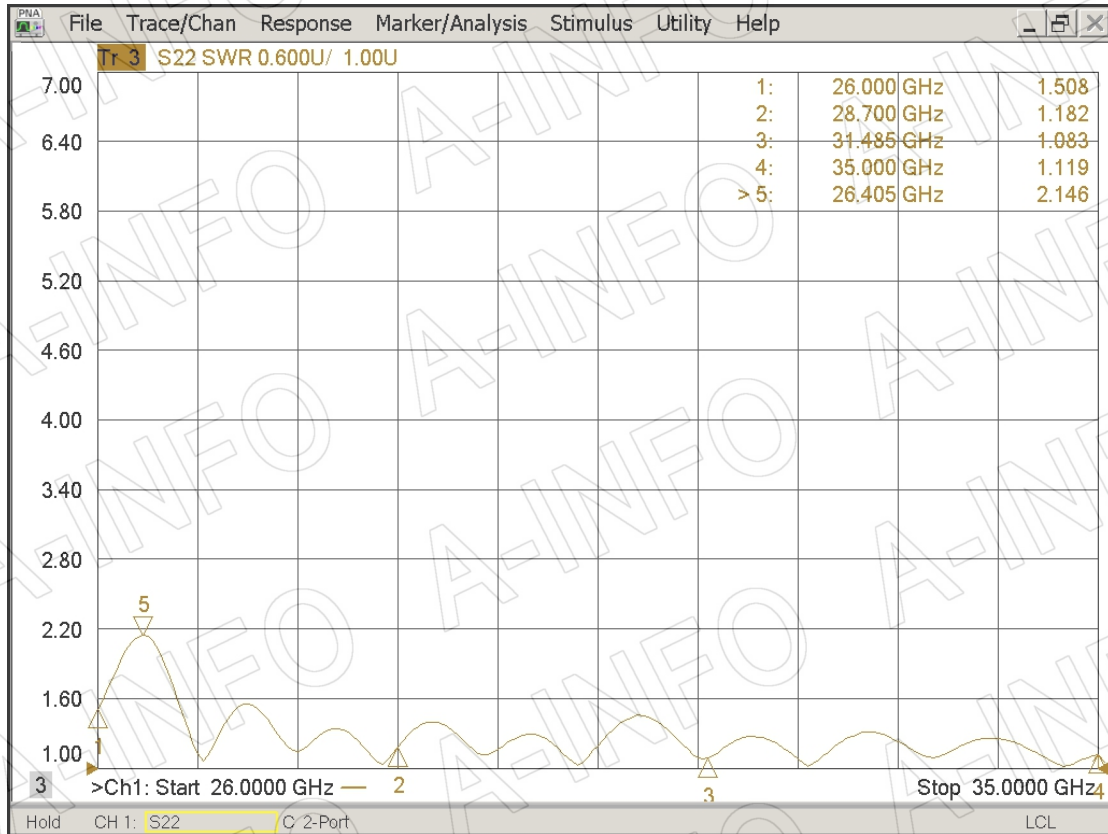


VSWR_C Type

Port-H



Port-V



5. Pattern

